

Open Frame LCD

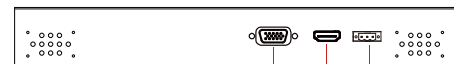
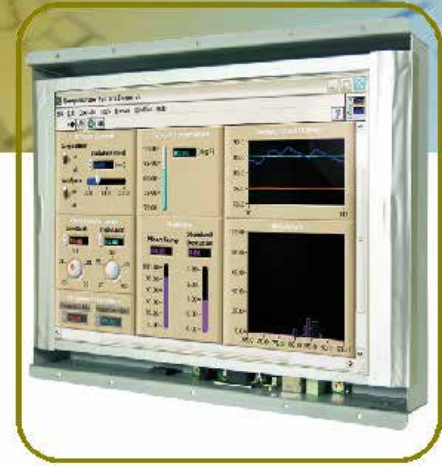
Open Frame LCD

12.1" (4:3)

Specifications

RoHS
COMPLIANT
2011/65/EU

| | |
|--------------------------------|---|
| Model Name | R12L600-OFM2 |
| Panel Size | 12.1" |
| Active Display Area(mm) | 245.76(H) x 184.32(V) |
| Resolution | 1024x768 |
| Brightness(cd/m ²) | 500 (Typical) |
| Contrast Ratio | 700:1 (Typical) |
| Viewing Angles(CR>=10 L/R/U/D) | -80~80(H) ; -70~70(V) |
| Display Colors | 16.2M |
| Standard Input Signal | 1 x VGA (D-sub 15) 1 x HDMI (Type-A) |
| Touch Screen(Optional-1) | Resistive Touch Protective Glass |
| Touch Screen(Optional-2)* | SAW Touch (Surface Acoustic Wave) |
| Touch Interface | USB / RS232 |
| Audio / Speakers (Optional)* | Audio line in (3.5mm) + Speaker x2 |
| OSD | 5 Keys: -, +, Power, Esc, Enter |
| Power Input | 12V DC input (2.5ψ) with external AC-DC Adapter (100V~240V) |
| Power Consumption | 20W typical, Normal operation |
| Operating temperature | 0~50°C |
| Storage Temperature | -10~60°C |
| Accessories | Power AC-DC Adapter(100V~240V) VGA cable (1.8m) HDMI cable (2m) |

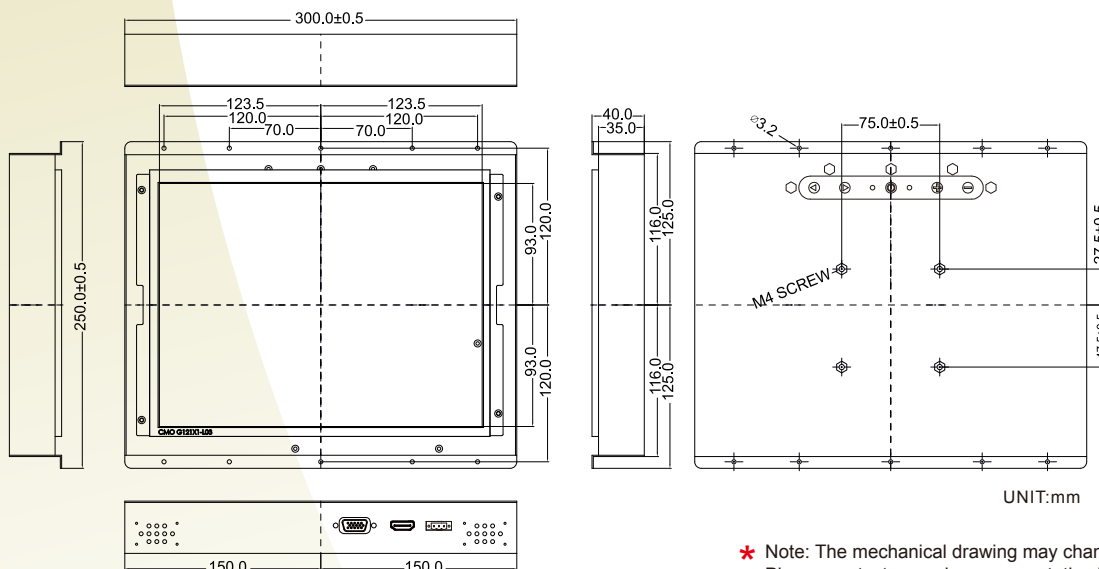


1. VGA
2. HDMI
3. 12V DC-in

| I/O Optional | |
|--------------|---|
| Optional 1* | 1 x VGA (D-sub 15) 1 x HDMI (Type-A) 1 x DVI-D |
| Optional 2* | 1 x VGA (D-sub 15) 1 x DVI-D 1 x S-Video 1 x Composite |

*Outside dimension and I/O will be different from standard

Mechanical Drawing



* Note: The mechanical drawing may change when adding touch screen.
Please contact our sales representative if you need further product information.